

# Technical Data Sheet

## Bennington 8350 Ash Door Latch Upgrade

*Kit 93-73506*

**Publish Date: 10/10/2005**

### **MATERIALS REQUIRED:**

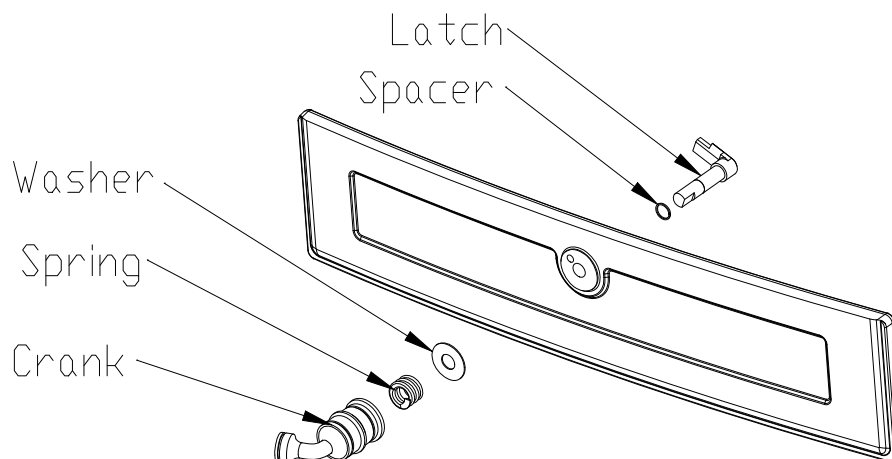
Latch (5350-041)  
Crank (5010-081)  
Spring (5240-137)  
Washer (5021-032)  
Setscrew (4500-2975)  
Spacer (4700-0790), 4x

### **TOOLS REQUIRED:**

5/32" Hex wrench

### **PROCEDURE:**

- 1) Remove and discard the ash door latch assembly by loosening the setscrew(s).
- 2) Install the new latch assembly as shown below. Start out with one spacer on the inside of the door. The crank now threads onto the latch - so adjust the crank so there is approximately 1/8" between the crank and the washer.
- 3) Align the setscrew hole in the crank with the groove on the latch shaft and insert and tighten the setscrew.
- 4) Check door seals using the "dollar bill test." Shut the door on a dollar bill. If the bill pulls out without any resistance, then your stove's door isn't sealed properly. Spacers can be added or removed to adjust gasket pressure. If you cannot achieve a good seal with the old gasket; install a new gasket.



**Figure 1: Ash Door Latch Detail**