



# Technical Data Sheet

## Bennington 8350 Front Door Latch Upgrade

*Kit #93-73501*

**Publish Date: 5/31/2006**

### **MATERIALS REQUIRED:**

Latch (5350-060)  
Catch (5350-062)  
Crank (5350-065)  
Coil Spring (5240-135)  
Washer (5021-032)  
Setscrew (4500-2975)  
Spacer (4700-0790), 4 ea

### **TOOLS REQUIRED:**

Phillips screwdriver  
5/32" Hex wrench

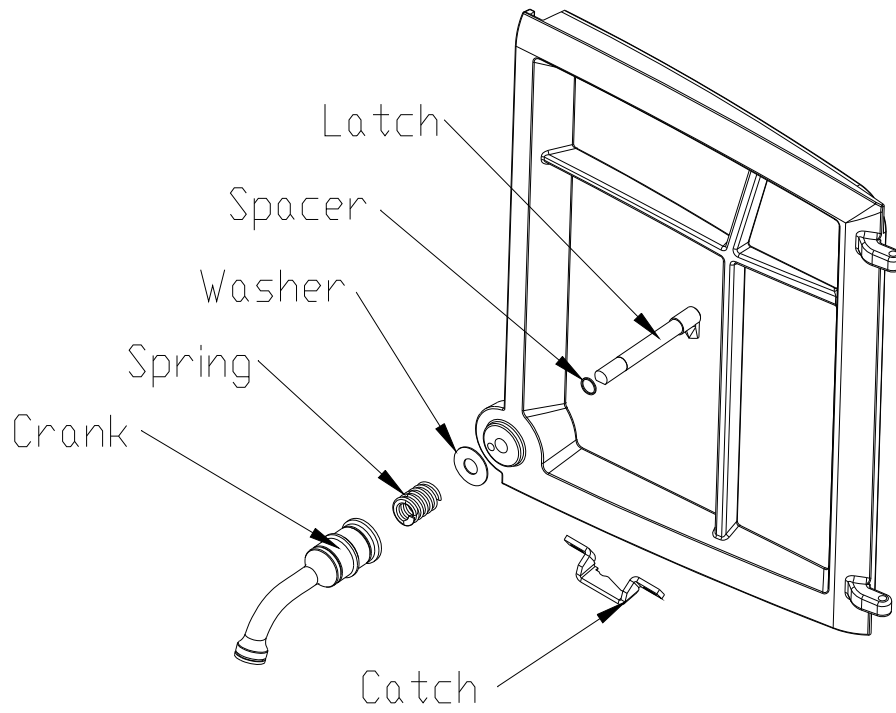
**IMPORTANT NOTE FOR STOVES BUILT PRIOR TO SEPTEMBER 2005:** If the stove was manufactured prior to September 2005, (any serial number below 3115), you will need to install the new front door latch keeper, part number 5350-062, along with this latch kit assembly.

### **PROCEDURE:**

- 1) Remove and discard the original front door latch assembly by removing the two setscrews located on the outer portion of the latch (chrome crank) with the 5/32" Hex wrench.  
**🔥 Note:** If the stove has a serial number that is higher than 3115, proceed to step 4.
- 2) For stoves with a serial number below 3115 (manufactured prior to September 2005), remove and discard the front door catch by removing the two Phillips head screws (retain screws).
- 3) Install the new catch (#5350-062) using the screws removed in step #2.
- 4) Place one of the steel spacers on the threaded door latch (add or subtract spacers to fine tune the fit – see step 6). Push the latch through the door; place the large washer and coil spring onto the latch, and thread the chrome crank onto the latch until it is within 1/8" of the face of the door (see illustration on page 2 for part locations).
- 5) Align the hole in the crank with the groove on the threaded latch; secure the latch by turning in and tightening the setscrew with the Hex wrench.
- 6) Check door seals using the "dollar bill test." Shut the doors on a dollar bill. If the bill pulls out without any resistance, then your stove's door isn't sealed properly. Add or remove spacers to adjust gasket pressure.

**🔥 Note:** A worn or compressed gasket will not provide a good seal; change the door gasket if a seal cannot be achieved with the new latch.

**Exploded view of new parts.**



**New catch installed**

