



Technical Data Sheet

Installation of the *Equinox* Accessory Blower *Part Number 90-57502*

Publish Date: 11/2/2007

KIT CONTENTS:

(1) Blower

Zip Bag Contents:

#7200-602 Control Knob (1)

4500-3436 Screws (2)

This Instruction Sheet

TOOLS REQUIRED:

#2 Phillips Screwdriver (6 inch)
Pair of Work Gloves

When installing the blower on the *Equinox*, it must be used in conjunction with the rear heat shield accessory (*Equinox* part number 90-68000) for mounting, and in order to channel the heated air forward over the stovetop.

Warning:

DISCONNECT POWER FROM BLOWER BEFORE YOU BEGIN! THIS BLOWER IS INTENDED FOR USE WITH THE EQUINOX MODEL 8000 ONLY. DO NOT DISASSEMBLE.

Attaching the blower to the *Equinox* stove.

1. Install the rear heat shield brackets on the stove as described in the rear heat shield instructions **before** installing the rear heat shield. It may be necessary to move the brackets slightly together or apart to match the spacing for the blower keyholes.
2. Attach the 2 screws included with this kit into the holes on the lower section of the brackets (see figure 2 below). Use a #2 Phillips screwdriver (do not tighten screws yet). If the rear shield is already installed, remove it before installing the blower (see figure 1).
3. With the key holes on blower facing the stove's back (as illustrated in figure2), position the blower so that the screws installed in step 2 pass through the keyholes on the back of the blower, then push down to capture the screws. Ensure you properly route the blower's power cord. Do not allow the cord to contact the stove, or be pinched in any way.

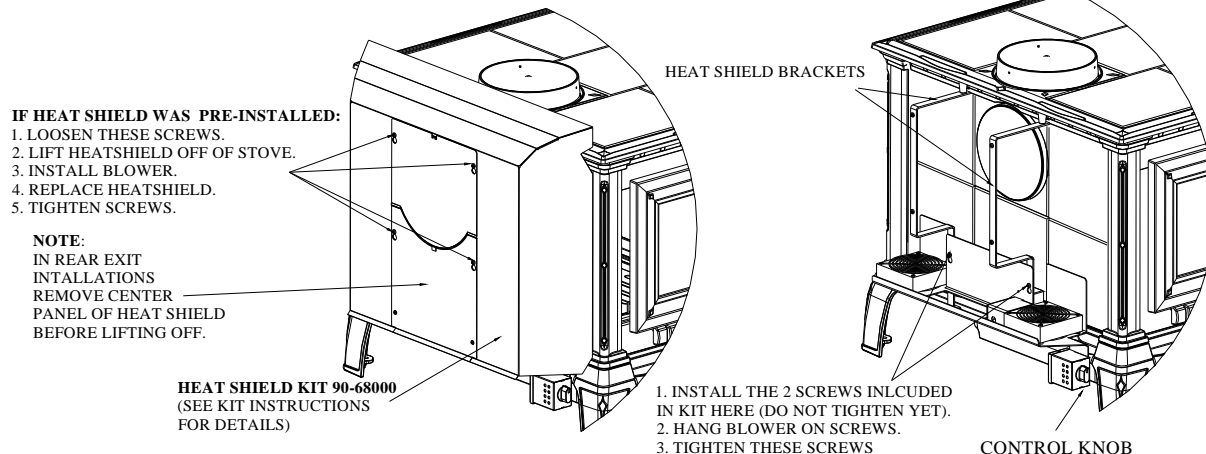


FIGURE 1

FIGURE 2

4. Tighten the screws. At this point the snap switch (small disc at end of box protruding from center of the blower facing stove) should be touching the stove. If the snap switch does not touch, simply remove the blower, bend the heat shield brackets in slightly toward stove then re-hang the blower and check that the snap switch now touches the stove.
5. Place the knob (included with this kit) onto the control shaft at the side of the blower.
6. Attach the heat shield (see heat shield installation instructions).

BLOWER OPERATION

The snap switch located on the blower housing activates the blower. It will take several minutes for the heat of the stove to activate the snap switch. The snap switch requires approximately 120° Fahrenheit to activate, and remains on until it cools to about 105°. A manual rheostat controls the blower fan speed. The rheostat knob is located on the left hand side of the blower housing (looking at the stove from the front). Turn the knob clockwise to the 'ON' position. The fan is at the highest setting when it is first turned on. Continue to turn the knob clockwise to reduce the fan's speed until it reaches its lowest setting. If the fan does not operate at the lowest setting, the rheostat requires adjustment. Contact your dealer for rheostat adjustment. To turn the blower off, turn the knob fully counterclockwise until it clicks into the 'OFF' setting.